



## **RMA14E-BK/RMA14E-GY**

### **Rack Mount Kit**

## **Installation/Operation Manual**

### **Manual C905M (2/96)**

#### **1.0 WARNINGS**

Prior to installation and use of this product, the following WARNINGS should be observed.

1. Installation and servicing should only be done by Qualified Service and Installation Personnel.
2. Installation shall be done in accordance with all local and national electrical and mechanical codes utilizing only approved materials.
3. Use only installation methods and materials capable of supporting four (4) times the maximum specified load.

#### **2.0 SCOPE**

The information within this manual covers the installation of the RMA14E-BK and RMA14E-GY Rack Mount Kits.

Installation should be in accordance with all applicable local and national electric codes, utilizing approved materials only.

Please thoroughly familiarize yourself with the information in this manual prior to installation and operation.

#### **3.0 DESCRIPTION**

The RMA14E-BK and RMA14E-GY Rack Mount Kits are designed to provide rack mounting for a single Pelco PMC14E monitor.

This versatile rack will fit any standard 19 inch wide console or rack configuration and is available in a black (RMA14E-BK) or gray (RMA14E-GY) finish.

#### 4.0 SPECIFICATIONS

Dimensions: See Figure 1  
 Construction: 14-gauge steel  
 Finish: Black or gray polyester powder coat  
 Weight: 9.31 lbs. (4.21 kg)

#### 5.0 INSTALLATION

The rack kit is supplied unassembled. The following hardware is provided for use in assembling the rack kit.

Qty	Description
8	8/32 Hex nuts
8	#8 Lock washers

To install the rack kit and monitor, perform the following steps:

1. Assemble the rack as shown in Figure 2 using the supplied hardware.
2. Set the monitor into the rack, aligning the four (4) feet with the holes in the base plate.
3. Install rack and monitor as an assembly into console and make any required electrical connections.
4. Hold into place, aligning mounting holes of the rack kit with mounting holes in console, and insert and tighten required fasteners (not supplied).

While assembling, install all hardware loosely until all components are attached and then finish by tightening all hardware.

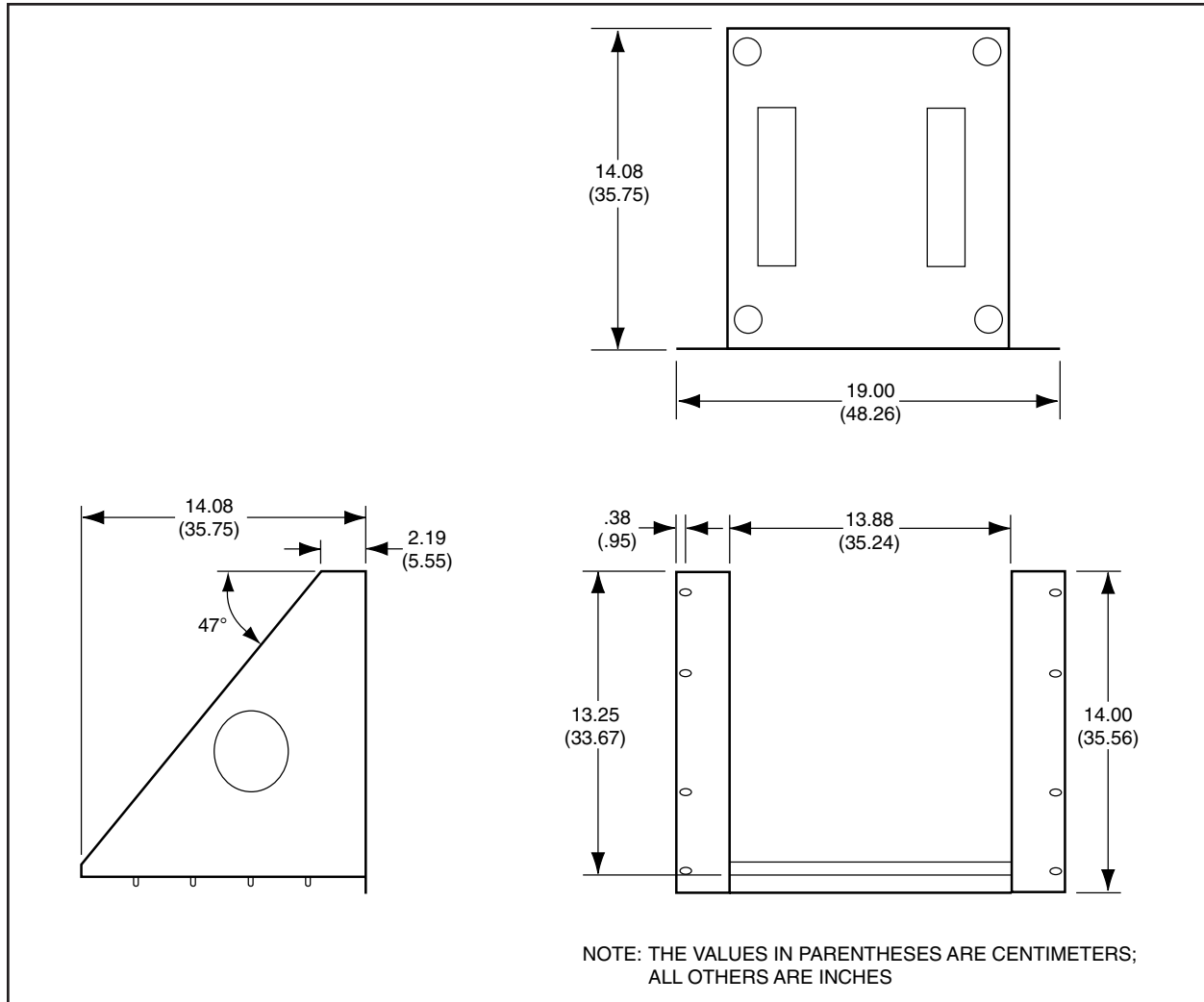
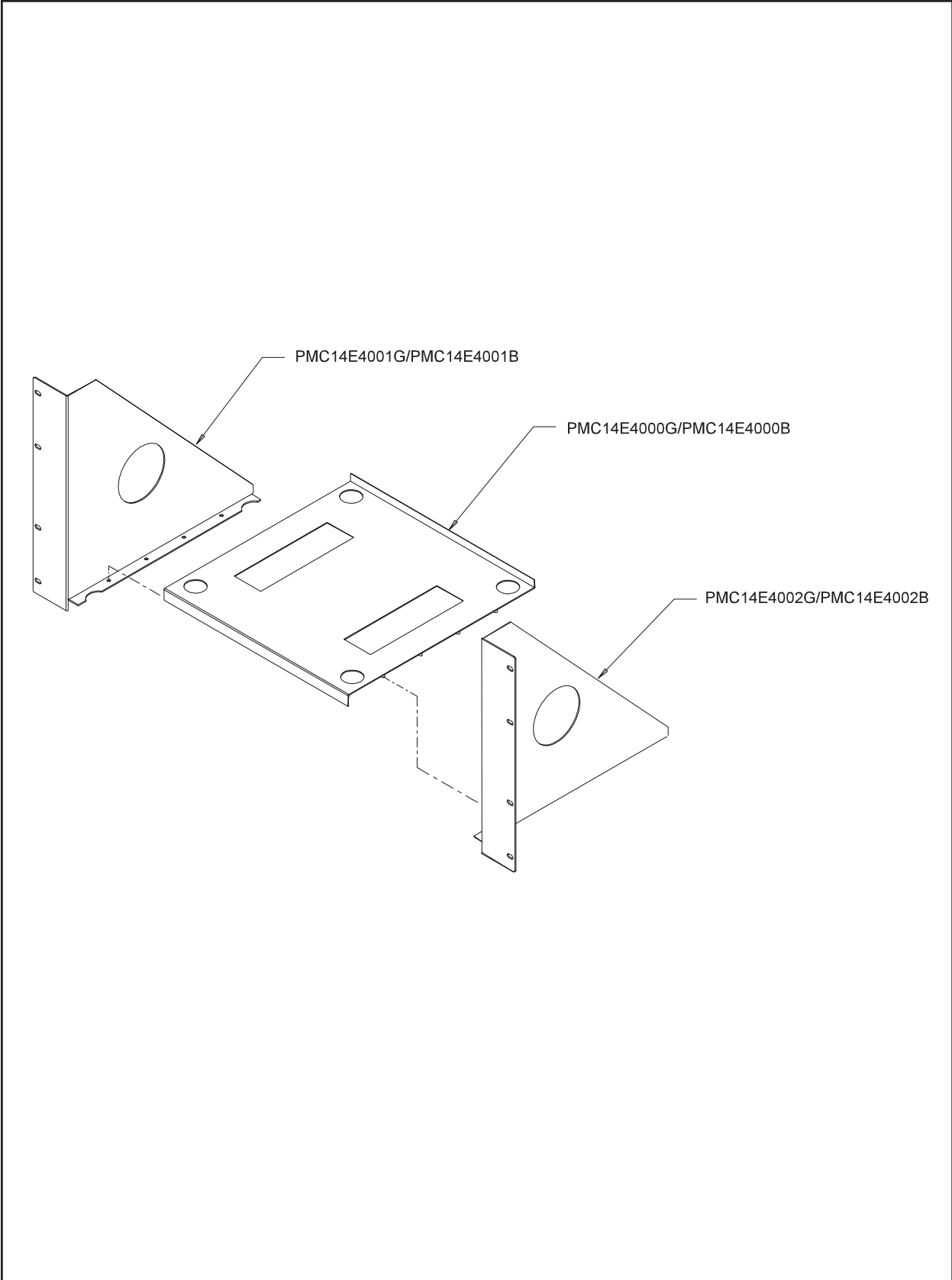


Figure 1. RMA14E Series Dimension Drawing



**Figure 2.** RMA14E Series Rack Kit Assembly

## 6.0 WARRANTY AND RETURN INFORMATION

### WARRANTY

Pelco will repair or replace, without charge, any merchandise proved defective in material or workmanship for a period of one year after the date of shipment.

Exceptions to this warranty are as noted below:

- Five years on FT/FR8000 Series fiber optic products.
- Three years on Genex® Series products (multiplexers, server, and keyboard).
- Three years on Camclosure® and fixed camera models, except the CC3701H-2, CC3701H-2X, CC3751H-2, CC3651H-2X, MC3651H-2, and MC3651H-2X camera models, which have a five-year warranty.
- Two years on standard motorized or fixed focal length lenses.
- Two years on Legacy®, CM6700/CM6800/CM9700 Series matrix, and DF5/DF8 Series fixed dome products.
- Two years on Spectra®, Esprit®, ExSite™, and PS20 scanners, including when used in continuous motion applications.
- Two years on Esprit® and WW5700 Series window wiper (excluding wiper blades).
- Eighteen months on DX Series digital video recorders, NVR300 Series network video recorders, and Endura™ Series distributed network-based video products.
- One year (except video heads) on video cassette recorders (VCRs). Video heads will be covered for a period of six months.
- Six months on all pan and tilts, scanners or preset lenses used in continuous motion applications (that is, preset scan, tour and auto scan modes).

Pelco will warrant all replacement parts and repairs for 90 days from the date of Pelco shipment. All goods requiring warranty repair shall be sent freight prepaid to Pelco, Clovis, California. Repairs made necessary by reason of misuse, alteration, normal wear, or accident are not covered under this warranty.

Pelco assumes no risk and shall be subject to no liability for damages or loss resulting from the specific use or application made of the Products. Pelco's liability for any claim, whether based on breach of contract, negligence, infringement of any rights of any party or product liability, relating to the Products shall not exceed the price paid by the Dealer to Pelco for such Products. In no event will Pelco be liable for any special, incidental or consequential damages (including loss of use, loss of profit and claims of third parties) however caused, whether by the negligence of Pelco or otherwise.

The above warranty provides the Dealer with specific legal rights. The Dealer may also have additional rights, which are subject to variation from state to state.

If a warranty repair is required, the Dealer must contact Pelco at (800) 289-9100 or (559) 292-1981 to obtain a Repair Authorization number (RA), and provide the following information:

1. Model and serial number
2. Date of shipment, P.O. number, Sales Order number, or Pelco invoice number
3. Details of the defect or problem

If there is a dispute regarding the warranty of a product which does not fall under the warranty conditions stated above, please include a written explanation with the product when returned.

Method of return shipment shall be the same or equal to the method by which the item was received by Pelco.

### RETURNS

In order to expedite parts returned to the factory for repair or credit, please call the factory at (800) 289-9100 or (559) 292-1981 to obtain an authorization number (CA number if returned for credit, and RA number if returned for repair).

All merchandise returned for credit may be subject to a 20% restocking and refurbishing charge.

Goods returned for repair or credit should be clearly identified with the assigned CA or RA number and freight should be prepaid. Ship to the appropriate address below.

If you are located within the continental U.S., Alaska, Hawaii or Puerto Rico, send goods to:

Service Department  
Pelco  
3500 Pelco Way  
Clovis, CA 93612-5699

If you are located outside the continental U.S., Alaska, Hawaii or Puerto Rico and are instructed to return goods to the USA, you may do one of the following:

If the goods are to be sent by a COURIER SERVICE, send the goods to:

Pelco  
3500 Pelco Way  
Clovis, CA 93612-5699 USA

If the goods are to be sent by a FREIGHT FORWARDER, send the goods to:

Pelco c/o Expeditors  
473 Eccles Avenue  
South San Francisco, CA 94080 USA  
Phone: 650-737-1700  
Fax: 650-737-0933

Pelco, the Pelco logo, Camclosure, Esprit, Genex, Legacy, and Spectra are registered trademarks of Pelco.  
Endura and ExSite are trademarks of Pelco.

© Copyright 1996, Pelco. All rights reserved.